

3/2 way Solenoid Valve for high temperatures, G 1/4

- Seat valve direct acting
- Media temperature up to + 180 °C
- Push-over solenoid system
- For gases and fluids

Type 0355 can be combined with...



Type 2508
Cable plug



Type 1078
Timer unit



Type 2511
ASI cable plug

Direct-acting plunger solenoid Type 355 for neutral gases and liquids.
Also suitable for high temperatures, such as hot water, hot air, steam.

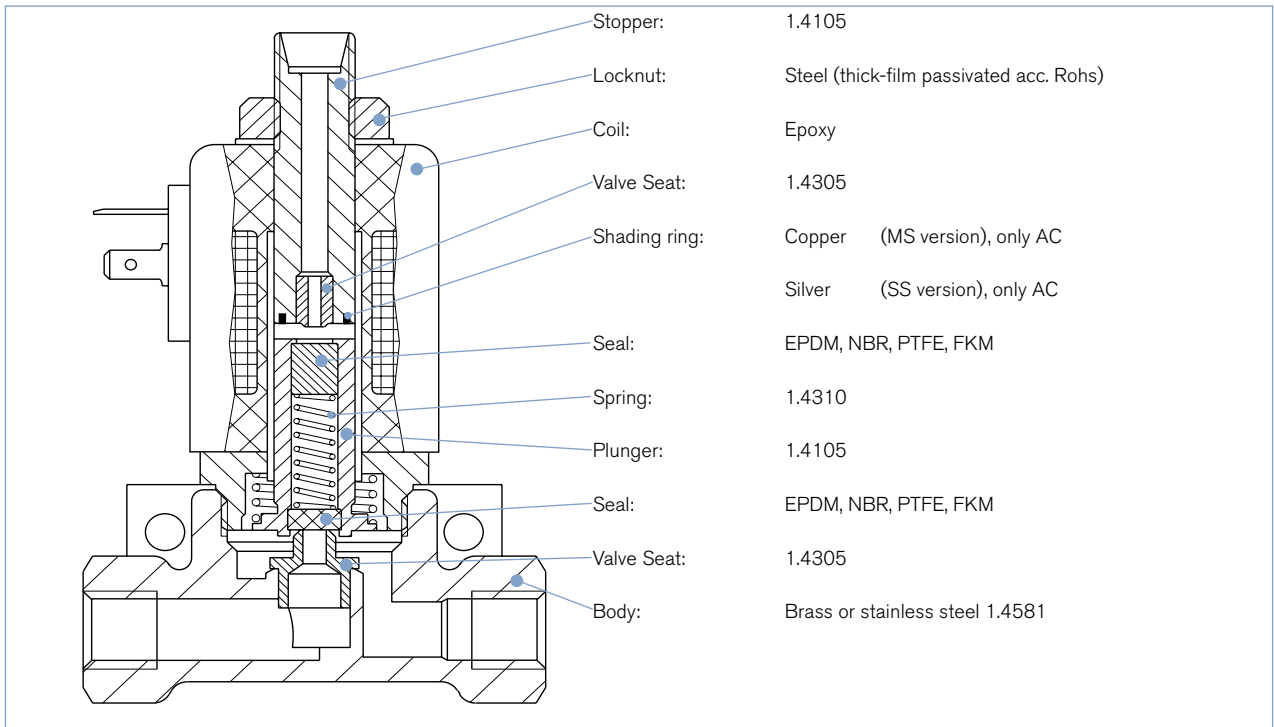
Technical data

Orifice	DN2.0 ... 4.0
Body materials	Brass with stainless steel seat 1.4305, Stainless steel 1.4581
Coil material	Epoxy
Coil insulation class	H
Inner part of valve	Stainless steel
Seal material	NBR, FKM, PTFE, EPDM
Media	NBR EPDM FKM PTFE Neutral fluids, hydraulic oil, oil without additives Oil and fat-free fluids Per-solutions, hot oils with additives Steam, organic solvents
Media temperature	NBR -10 ... +90 °C EPDM -40 ... +130 °C FKM 0 ... +130 °C PTFE -40 ... +180 °C
Ambient temperature	Max. +55 °C
Voltage tolerance	± 10%
Duty cycle	100% continuous rating
Electrical connection	Tag connector acc. to DIN EN 175 301-803 Form A (previously DIN 43650) for cable plug Type 2508 (supplied as standard)
Protection class	IP65 with cable plug
Installation	As required, preferably with actuator upright

Power consumption

Inrush AC [VA]	Hold (hot coil)	
	AC [VA/W]	DC [W]
35 ... 40	16/10	ca. 12

Materials



Ordering chart for valves (other versions on request)

Brass or stainless steel body, all valves with cable plug

Circuit function	Port connection	Orifice [mm]	K _v value water [m ³ /h]	Pressure range [bar]	Seal material	Item no. per voltage/frequency [V/Hz]			
						024/DC	024/50	230/50	
C 3/2 way, valve NC 	Brass body								
	G ¼	2.0	0.11	0 ... 16	EPDM	-	-	066007	
					NBR	043089	026069	068078	
		3.0	0.2	0 ... 10	PTFE	062188	049998	049025	
					FKM	064392	-	126056	
			4.0	0.4	0 ... 8	NBR	068557	017668	061174
						PTFE	052665	067817	054885
	0 ... 5	FKM	-	-	046655				
		NBR	061104	019095	061019				
	PTFE	052078	065552	058403					
	Stainless steel body								
	G ¼	4.0	0.4	0 ... 5	PTFE	-	-	021253	
FKM					-	-	066759		

• Valves with brass body have a pressed in stainless steel seat 1.4305.

i Further versions on request

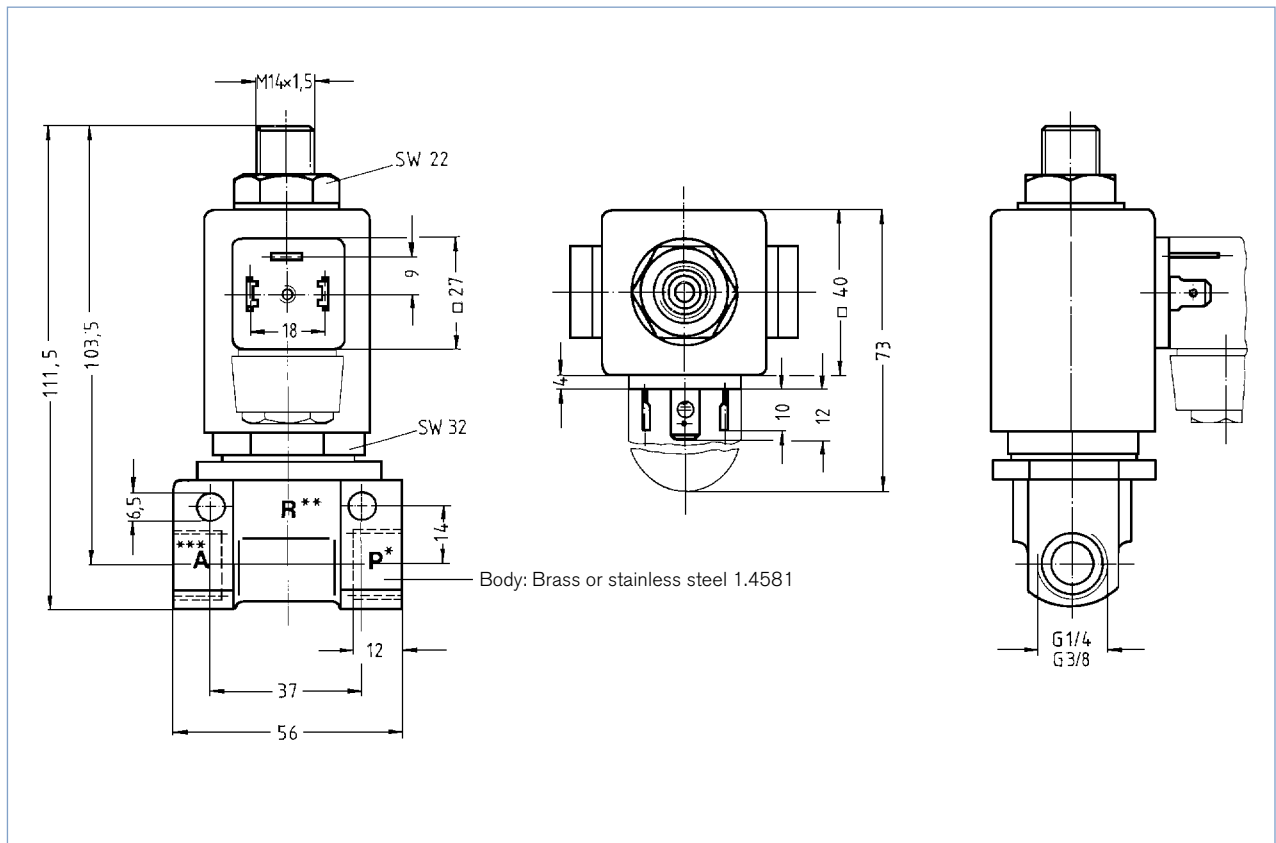
Circuit function
Circuit functions D and E on request

Material
Further valve combinations (body and seal material)

Voltage
110/50, 240/50, non-standard voltages

Approvals
UL, UR, CSA

Dimensions [mm]



To find your nearest Bürkert facility, click on the orange box →

www.burkert.comIn case of special application conditions,
please consult for advice.Subject to alteration.
© Christian Bürkert GmbH & Co. KG

1712/3_EU-en_00891628